

DRY-RUNNING SECONDARY CONTAINMENT SEAL

DESIGNED FOR SAFE FLUID CONTAINMENT & ENVIRONMENTAL EMISSION CONTROL

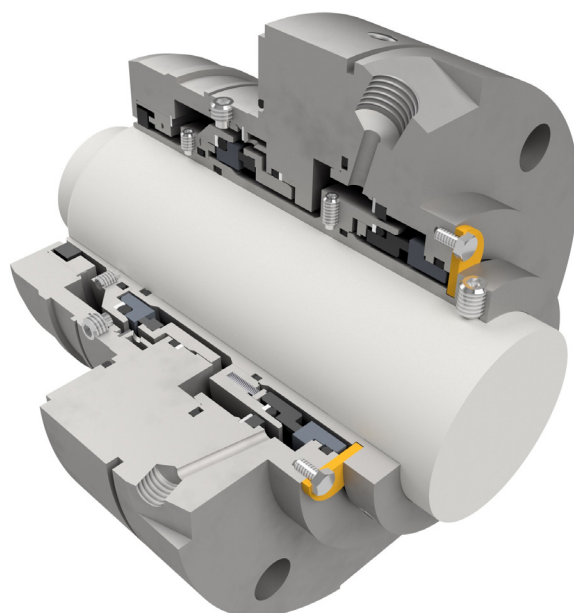
In certain processes dangerous and volatile fluids require additional precautions to protect personnel, ensure safe operation, and prevent downtime. The Flexaseal Multi-Spring Fluid Containment Seal (FCS) has been specifically designed as an economical option for applications where the highest level of safety and environmental control is necessary. The FCS Seal allows monitoring of any primary seal leakage and functions as a secondary containment seal in the event of primary seal failure.

The FCS Seal is a contacting, dry-running pusher seal which can be added to most of Flexaseal's single cartridge options, including:

- Style 58 Heavy Duty API Stationary Multi-Spring Cartridge Seal
- Style 53A API Rotating Welded Metal Bellows Cartridge Seal
- Style SMS Stationary Multi-Spring Cartridge Seal
- Style RB Rotating Welded Metal Bellows Cartridge Seal

Utilizing the FCS secondary seal design in conjunction with API 682 Plan 72, 75, or 76 eliminates the cost and maintenance of installing a dual seal with an API 682 Plan 52 buffer system.

The FCS Seal is cost-effective choice to meet emission regulations and safeguard personnel and equipment.



MATERIALS OF CONSTRUCTION

Faces	Special Dry-Running Carbon, Reaction Bonded Silicon Carbide
Elastomers	FKM, EPDM, TFEP, Buna, Neoprene, Perfluoroelastomers
Metallurgy	316 Stainless Steel, Alloy C-276, Super Duplex Alloy 255, Titanium
Springs	Alloy C-276

OPERATING PARAMETERS

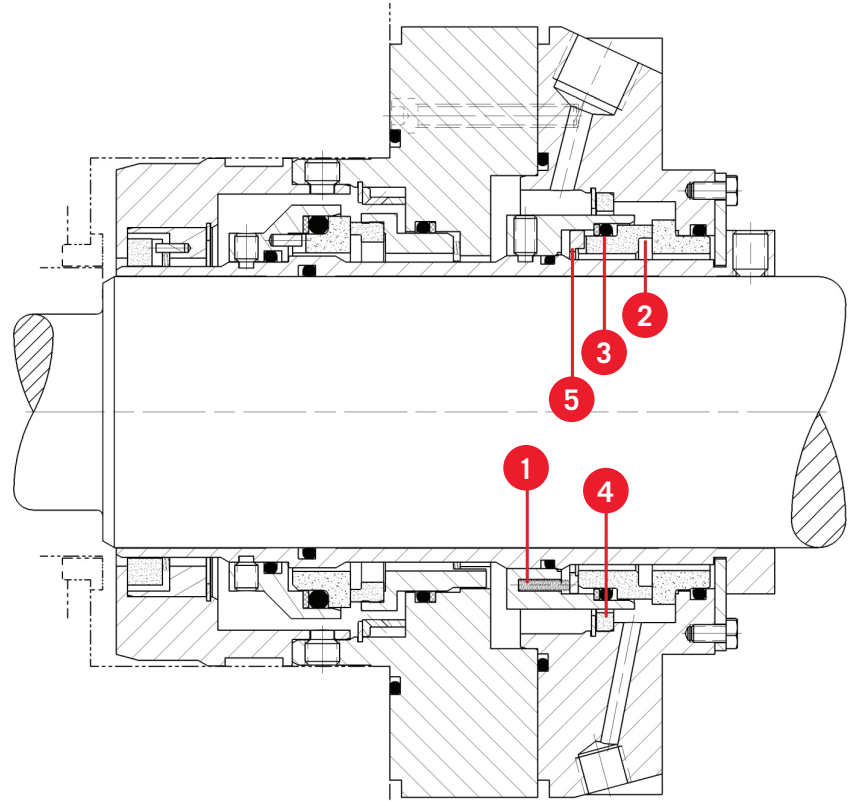
Speed	10000 FPM (50 m/sec)
Temperature	Up to 550°F (288°C) using high temperature elastomers
Pressure	Gas-lubricated: up to 10 psig (0.7 barg) Liquid-lubricated: 300 psig (20.7 barg), dynamic Liquid-lubricated: 600 psig (41.4 barg), static

* Maximum temperature / speed / pressure indicate operating extremes independently and do not imply the seal will function at these extremes at the same time.

FEATURES & BENEFITS

AS SHOWN WITH A STYLE 58/FCS CARTRIDGE SEAL

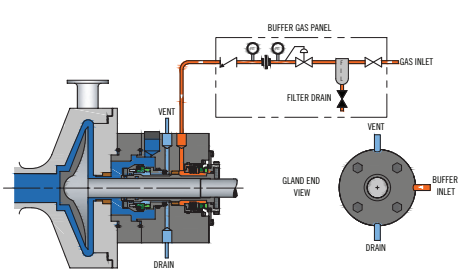
1. Lightly loaded seal face minimizes wear and face temperature during operation
2. Extended seal face has long wear life
3. Balanced seal design minimizes heat generation and power consumption, guaranteeing stable operation under worst-case containment conditions.
4. Isolation bushing keeps normal inboard seal leakage away from the FCS seal portion.
5. Dynamic drive ring prevents pin-wear hang up.



FOR USE WITH

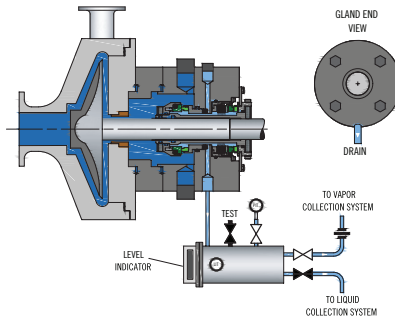
PLAN 72

Externally supplied buffer gas maintained at a pressure less than the seal chamber pressure.



PLAN 75

Leakage collection system for condensing or mixed phase leakage with a contacting containment seal.



PLAN 76

Vent for non-condensing leakage with a contacting containment seal.

