

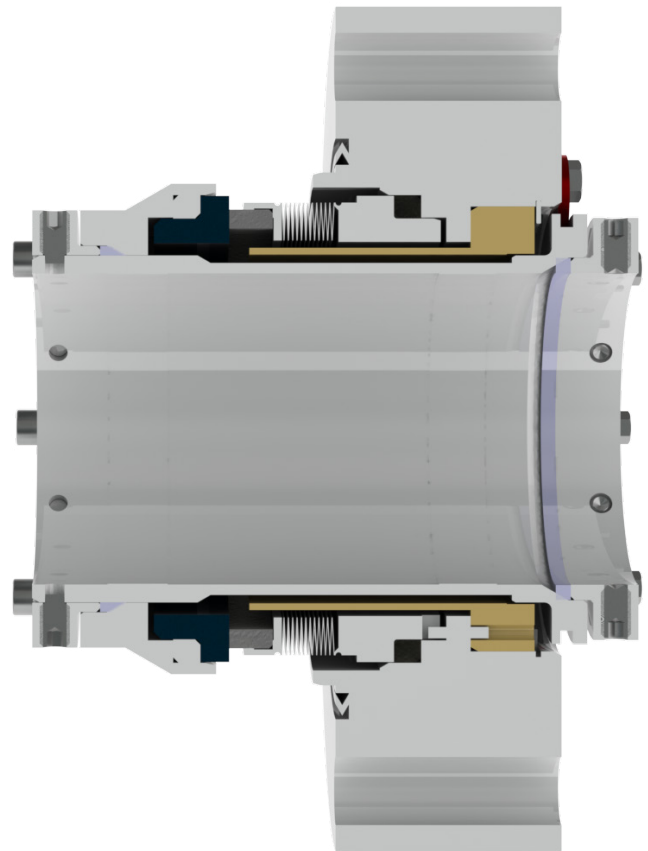
HEAVY DUTY METAL BELLOWS CARTRIDGE SEAL *FOR HIGHER TEMPERATURE AND DIRTY CRITICAL SERVICES*

The Flexaseal Style 63/66 cartridge seal is specifically designed for ruggedness and durability to withstand higher temperature or dirty services. The Style 63 features a stationary bellows unit for superior performance in applications that require higher shaft runout or large assembly tolerances. The Style 66 is a rotating bellows unit for enhanced solids handling.

Standard Inconel 718 Bellows units for wide temperature and process fluid compatibility.

Grafoil packing throughout allows for operating temperatures up to 800F, while improving reliability by eliminating the dynamic secondary sealing element.

The Style 63/66 cartridge seal is uniquely customizable to your specific application requirements. API 682 Compliant options are also available.



MATERIALS OF CONSTRUCTION

Faces	Antimony Impregnated Carbon, Nickel Bound Tungsten Carbide, Sintered Silicon Carbide, Graphite Loaded Silicon Carbide
Welded Bellows	AM350HT, Alloy 718. Single- and double-ply bellows options available.
Gland Bushing	Bronze, Carbon
Standard Metallurgy	316 SS with low-expansion Alloy 42 retainer. Other material options available, please consult Flexaseal.

OPERATING PARAMETERS

Max Temp	800°F (425°C)
Max Pressure	300 psi (20 bar)
Max Speed	Style 63: 10,000 SFPM (50m/sec) Style 66: 4,500 SFPM (22m/sec)

* Max Temperature / pressure / speed indicate operating extremes independently and do not imply the seal will function at these extremes at the same time. Contact Flexaseal if in doubt.

HEAVY DUTY METAL BELLOWS CARTRIDGE SEAL

FOR HIGHER TEMPERATURE AND DIRTY CRITICAL SERVICES

DESIGN FEATURES & BENEFITS

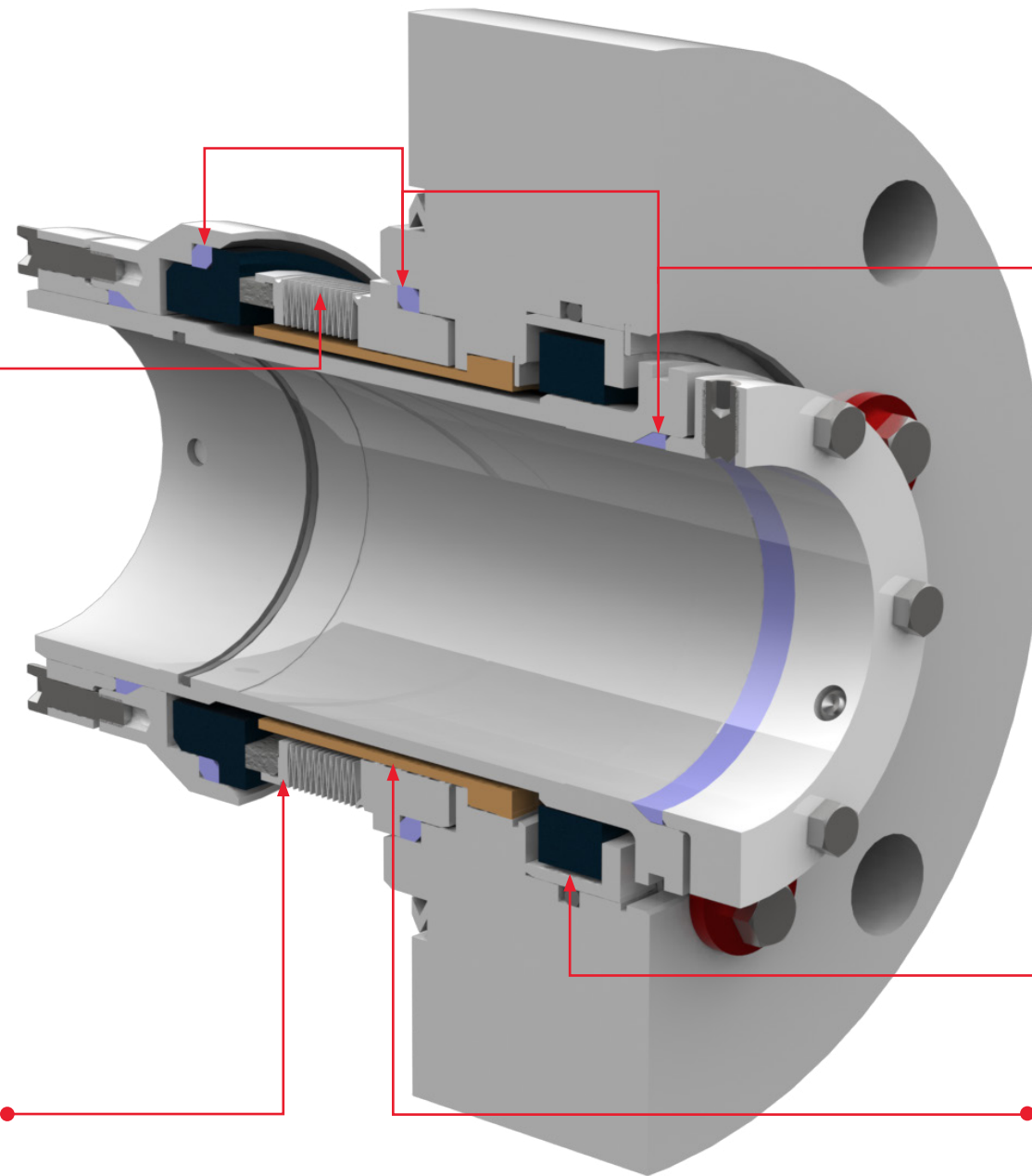
Easy cartridge seal installation. ●

Proven high performance nesting ripple bellows design. ●

Gland design with flush, quench and drain connections and throttle bushing. ●

Upgradeable to include any of the extensive array of API 682 design specifications such as a piloted gland with a metal-to-metal confined gland gasket, specific sleeve thicknesses, surface finishes, and throttle bushing clearances. ●

Low expansion alloy face retainer. ●



Style 63: Stationary welded metal bellows cartridge

Style 66: Rotating welded metal bellows cartridge

● High temperature static grafoil packing throughout seal.

● Standard AM350 heat treated bellows; Alloy 718 heat treated bellows option available.

● Double-ply welded bellows available for higher pressures.

● Carbon floating bushing option available.

● Bronze steam deflector option available to assist various API 682 plans in eliminating coking buildup on the bellows assemblies.