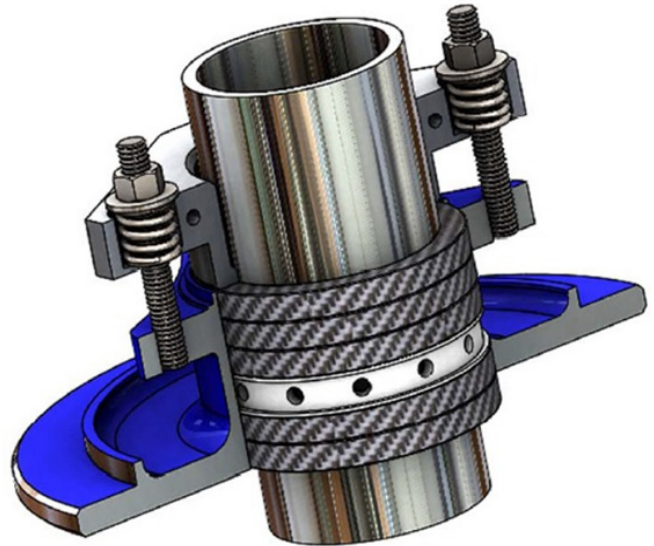


POWERGLAND – SPRING ASSISTED GLAND

Constant Tension, Minimal Maintenance

PowerGland can drastically reduce your operational interventions on packed rotating equipment by addressing critical issues: inconsistent gland pressure, frequent repacks, and high manpower requirements. Its spring-assisted design and high-quality alloys provide consistent gland tension on packing, significantly reduce the need for repacks, and minimize manpower requirements, enhancing operational efficiency and safety.



FEATURES

- Standard OEM split gland design
- Broad range of alloy options for chemical compatibility
- Designed to encapsulate compression springs
- Fits rotating equipment without modification to existing equipment

BENEFITS

- Keeps constant gland pressure on packing
- Reduces the need for repacks
- Reduces manpower requirements
- Reduces packing failure from vibration and process interruptions
- Safety: eliminates the need for repacks in hazardous environments

THE POWERGLAND EXCELS IN SEALING THESE APPLICATIONS:

- **Pulp & Paper**
Raw Water, Cooling Water, Chemical Handling, Thick Stock (High Consistency), Medium Consistency Stock, Green Liquor, White Liquor, Black Liquor, Waste Water Treatment, Power House
- **Alumina Refining**
Bauxite Grinding Pumps, Caustic Cleaning Preparation, Digester Feed, Desilicator Discharge Pump, Seed Filtrate Pump, Coarse Seed Filter Feed Pumps, Seed Charge
- **Gold Mining**
Carbon In Leach Tails, Concentrate Transfer, Cyanide Transfer, Conditioning Tank feed, Decant Water, Saline Water, Tails Thickener feed
- **Hard Rock Mining**
Dewatering and pumping stations
- **Flue Gas Desulfurization (FGD)**
Limestone Recirculation/Scrubber Feed, Ash Pumps, Calcium Sulfate Slurry, Gypsum Slurry, Filtrate Return
- **Ore Mining**
Limes Pump, Concentrator Feed, Tailings/Tailings Booster pumps, Mineral sand slurry, Mineral sand concentrate
- **Synthetic Rutile Plant**
Slurry Transfer Pumps, Acidic Slurry Transfer Pumps
- **Pigment Plant**
Finished Slurry pump, Neutralization feed pump, Chlorine Compressors (GARO)
- **Industrial Processes**
Sugar beets, cement fiber board, diatomaceous earth
- **Aggregates**
Fines recovery, thickener/clarifier underflow, belt-press feed
- **Coal Prep/Washing**
Thickener Underflow, Thickener Overflow